



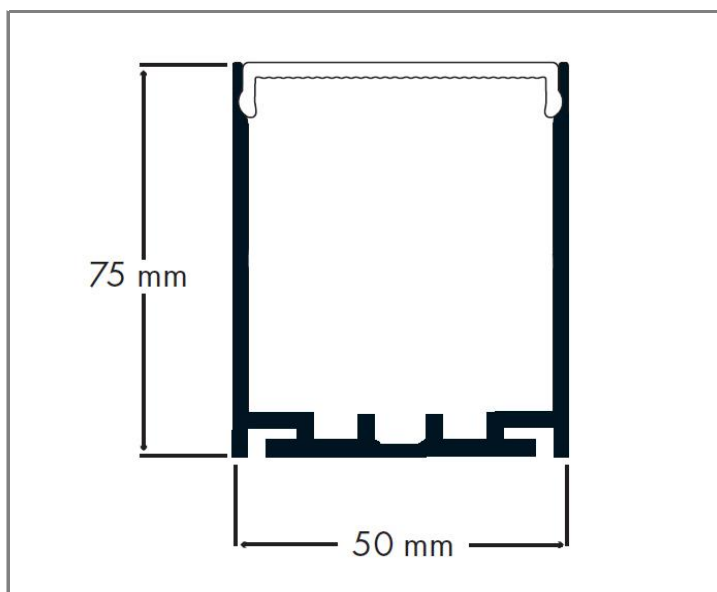
Luminaire Ref: LIN20S-4K-0.6M

Electrical & Optical Data

Input Voltage:	240V
Output Voltage:	24V
Colour Temp:	4000K
Lumens:	1080LM
Efficacy:	90LM P/W
Internal Driver	YES
CRI:	CRI92+
Wattage:	12W
Beam Angle:	120°
Dimmable:	NO

Mechanical Data

Length:	600MM
Width:	50MM
Height:	75MM
Finish:	BLACK
IP Rating:	IP20
Control Gear:	STANDARD



Notes

Constructed from 6063 Extruded High Strength Aluminium our LED linear offers extreme rigidity and sturdiness with a durable finish.

- .c/w opal diffuser
- .c/w 2mtr wire suspension
- .120 LEDs per metre
- .single binning
- .3-Step MacAdam

